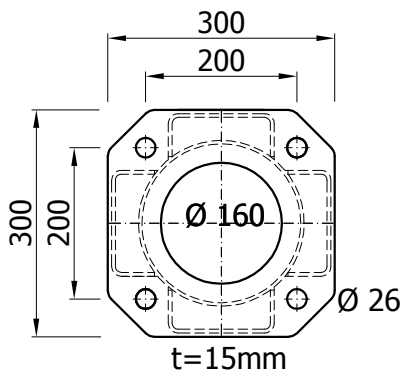




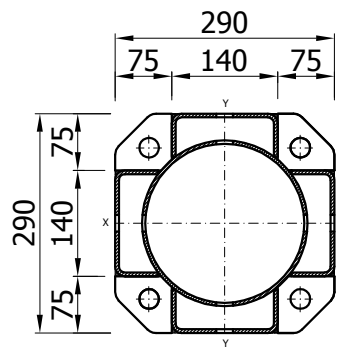
# MegaSteel Profil MS-E

Specifications	
Max. capacity	1000 kN
Steel quality	S355
Cross section area	6`795mm <sup>2</sup>
I <sub>x</sub>	56,513 x 10 <sup>6</sup> mm <sup>4</sup>
I <sub>y</sub>	56,513 x 10 <sup>6</sup> mm <sup>4</sup>
Self weight	~0.7 kN/m`

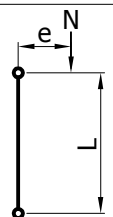
End plate



Typical section



Eccentricity	Allowable working load* N (kN)							
	Effective length L							
	1m	3m	5m	7m	9m	12m	15m	18m
e=10	1300	1120	880	630	450	280	190	135
e=25	1070	900	700	500	350	220	150	105
e=50	820	690	530	380	270	170	115	80



\* with a considered safety factor 1.5