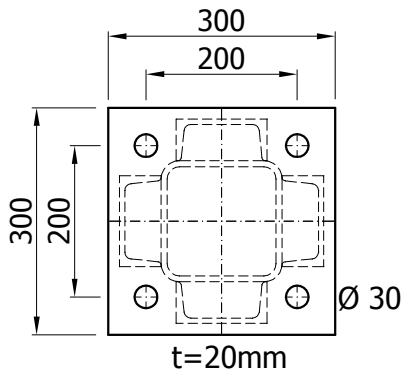




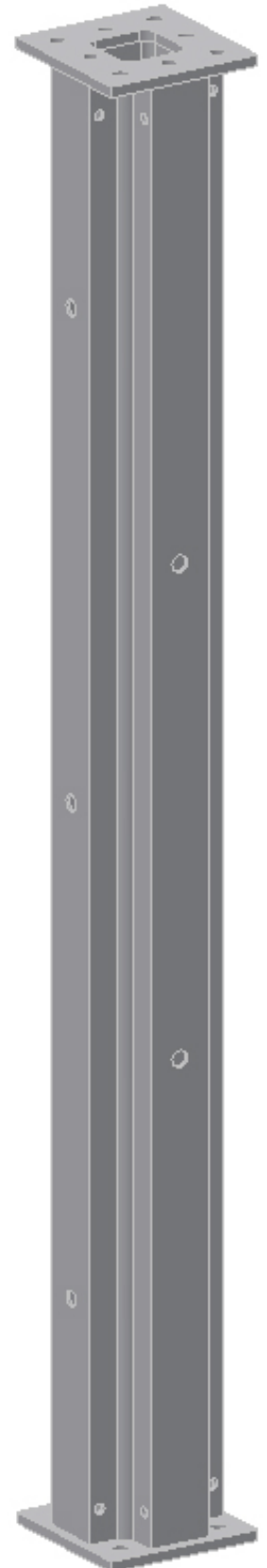
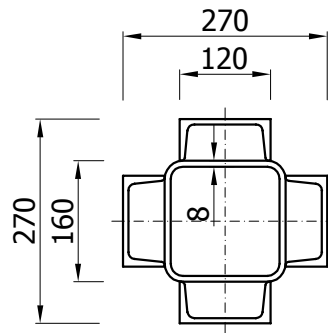
MegaSteel Profile MSt-B

Specifications	
Max. capacity	1500 kN
Steel quality	S355
Cross section area	11`500mm ²
I _x	74.7 x 10 ⁶ mm ⁴
I _y	74.7 x 10 ⁶ mm ⁴
Self weight:	~0.85 kN/m`

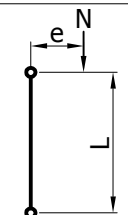
End Plate



Typical Section



Eccentricity	Allowable working load* N (kN)							
	Effective lenght L							
	1m	3m	5m	7m	9m	12m	15m	18m
e=10	2020	1730	1340	970	700	450	310	220
e=25	1590	1380	1090	810	600	400	280	210
e=50	1180	1040	850	660	510	350	250	190



* with a considered safety factor 1.5