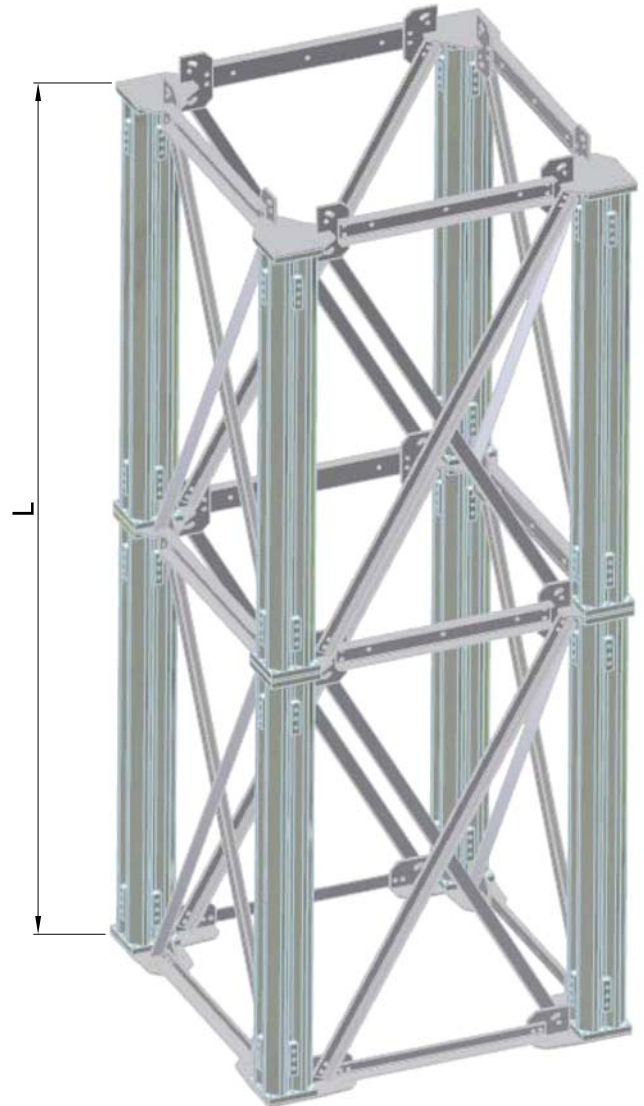
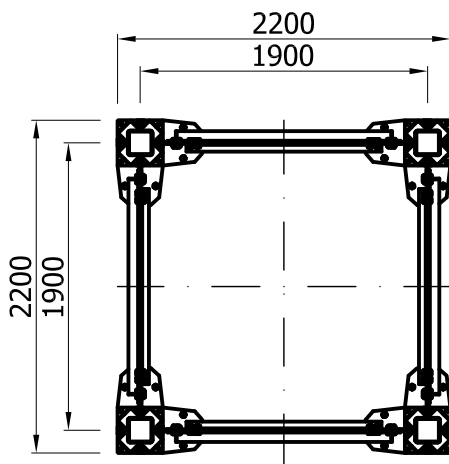
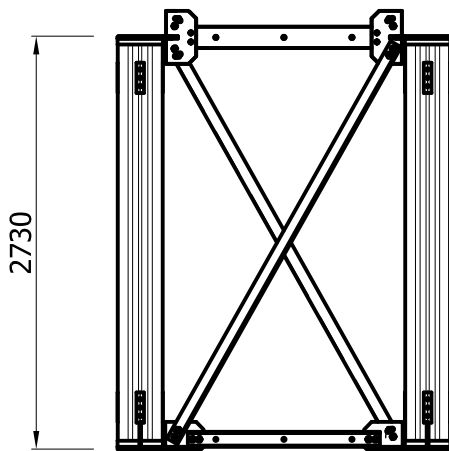




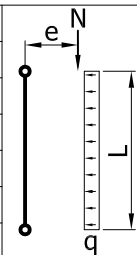
# MegaSteel Tower MSt (Profile C)

## Technical Data

Capacity: 8000 kN  
 Center distance: 1900 x 1900 mm  
 Height: 2730 mm  
 Bracing: L-Profile  
 Weight: 1620 kg



Allowable working load* N (kN) with profile C								
Eccentricity	Effective Length L							
	3m	8m	12m	15m	20m	25m	30m	40m
e=10	-	-	-	-	-	-	-	-
e=25	-	-	-	-	-	-	-	-
e=50	-	-	-	-	-	-	-	-
e=100	-	-	-	-	-	-	-	-



\* with a considered wind jam pressure q of 1.0kN/m and a safety factor of 1.5